

---

## ACM320(WTR07) Industrial Pressure Transmitter

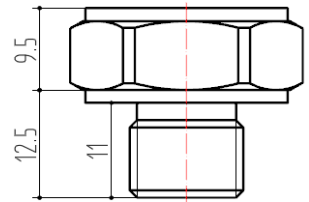
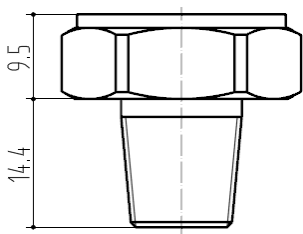
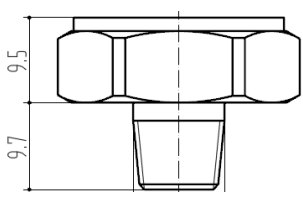


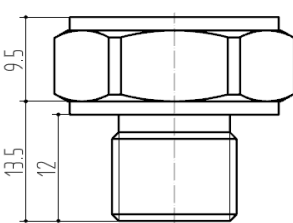
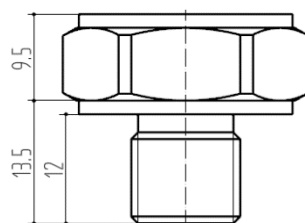
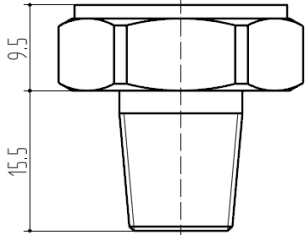
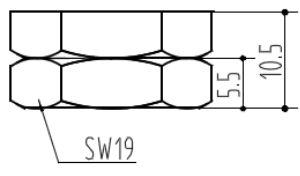
- Piezoresistive silicon chip employed
- Perfect long term stability
- MEMS Technology
- CE certificate
- Compact size

ACM320(WTR07) Industrial Pressure Transmitter is a standard and most economic transmitter applied in air and liquid pressure measuring.

Pressure range	
Pressure range	-100kPa, 10kPa, 35kPa, 70kPa, 100kPa, 250kPa, 400kPa, 600kPa, 1MPa, 1.6MPa, 2.5MPa, 4MPa, 6MPa, 10MPa, 16MPa, 25MPa, 40MPa, 60MPa, 100MPa
Pressure reference	Gauge pressure   Absolute pressure   Sealed gauge pressure
Overpressure	300%F.S.( ≤70kPa)   200%F.S.( <25Mpa)
Output signal	
Output	4 to 20mA   0.5 to 4.5V   1 to 5V   0 to 5V
Specification	
Accuracy (linearity, repeatability and hysteresis)	±0.5%F.S. (typical)
Excitation	24VDC   12VDC   5VDC
Compensated temp.	-10°C - 70°C(typical)   -20°C - 85°C(available)
Operating temp.	-40°C - 125°C
Storage temp.	-40°C - 125°C
Zero temp. coefficient	±1.5%F.S.max.(@-10°C - 70° C)
Span temp. coefficient	±1.5%F.S.max.(@-10°C - 70° C)
Pressure connection	see last page "how to order"
Protection	IP65
Housing material	Stainless steel 304 (SS316 for sensor inside)
Weight	95g(approx)

Round Packard		M12x1P		Cable outlet		Mini 4 pin	
In mm		In mm		In mm		In mm	
C1		C2		C3		C4	
Current (2 wire)	Voltage (3 wire)	Current (2 wire)	Voltage (3 wire)	Current (2 wire)	Voltage (3 wire)	Current (2 wire)	Voltage (3 wire)
Pin 1 +Excitation Pin2 +Output Pin 3 Pending	Pin 1 +Excitation Pin 2 -Excitation Pin 3 +Output	Pin 1 +Excitation Pin2 +Output Pin 3 Pending Pin 4 Pending	Pin1 +Excitation Pin2 +Output Pin 3 -Excitation Pin 4 Pending	Red: +Excitation Green: +Output	Red +Excitation Green -Excitation Yellow +Output	Pin1 +Excitation Pin2 +Output Pin 3 Pending	Pin1 +Excitation Pin2 -Excitation Pin 3 +Output

Thread	G1/4	1/4-18NPT	1/8-27NPT
Dimension in mm Hex 24mm			
Code	P1	P2	P3

Thread	M14x1.5	M12x1.5	1/4-19PT	7/16-20UNF(female)
Dimension in mm Hex 24mm				
Code	P4	P5	P6	P7

## How to order

ACM320(WTR07) XX XX XX XX XX XX

### Pressure range

Please write directly

### Pressure reference

A: absolute pressure

G: gauge pressure

S: sealed gauge pressure

### Excitation

E1: 5V DC

E2: 24V DC

E3: 12V DC

### Pressure connection

P1: G1/4

P5: M12×1.5

P2: 1/4-18NPT

P6: 1/4-19PT

P3: 1/8-27NPT

P7: 7/16-20UNF (female)

P4: M14×1.5

P8: others (please specify)

### Electrical connection

C1: Round Packard

C2: M12×1P

C3: Cable outlet (please write the cable length)

C4: Mini 4 pin

### Output signal

S1: 4 to 20mA

S2: 0.5 to 4.5V

S3: 1 to 5V

S4: 0 to 5V